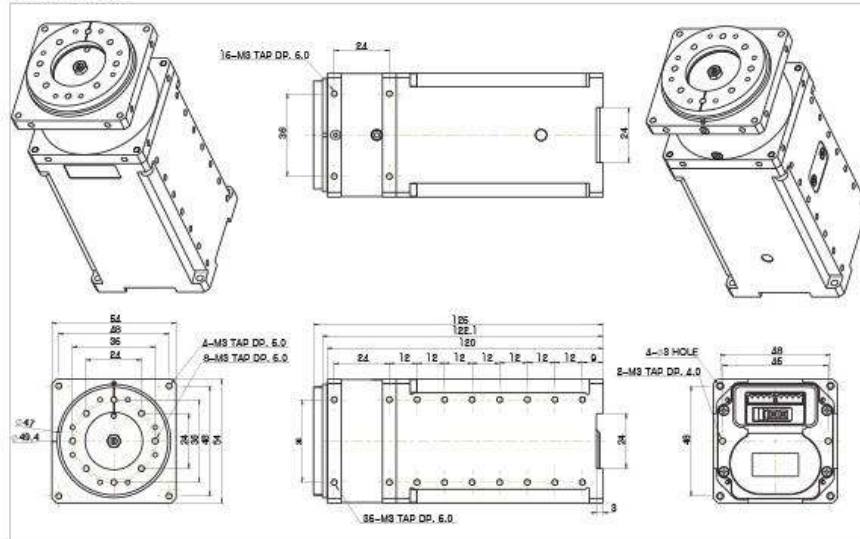


# M54-60-S250-R

close

## Dimension



## Download

## Data

	Unit	Data	
Rated voltage	V	24	
No load speed	RPM	33.1	
No load current	A	1.25	
Continuous operation	Speed	RPM	28.8
	Torque	N.m	11.6
	Current	A	3.0
Resolution	Step/turn	251400	
Gear ratio	-	251	
Backlash	arcmin	3.8	
Interface	-	RS-485 / CAN(Optional)	
Operating temperature	°C	5~55	

## Performance Graph

